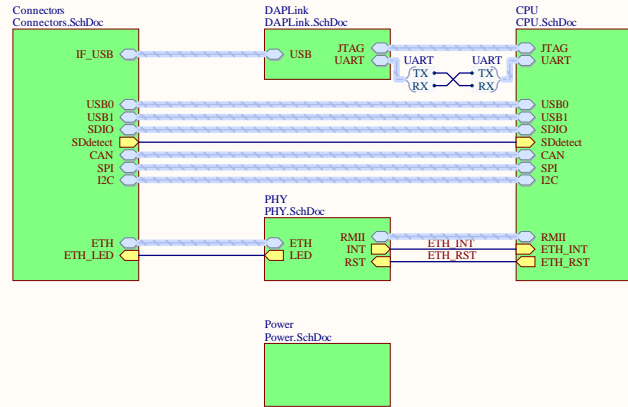
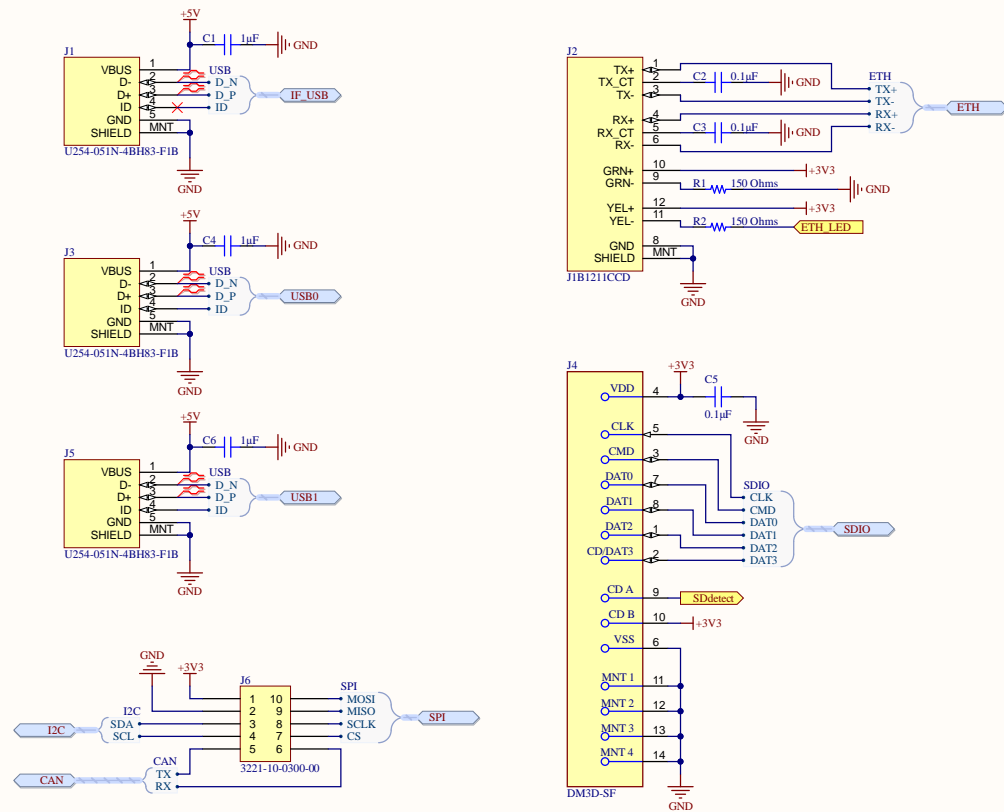


REVISION	DESCRIPTION	DATE	APPROVED



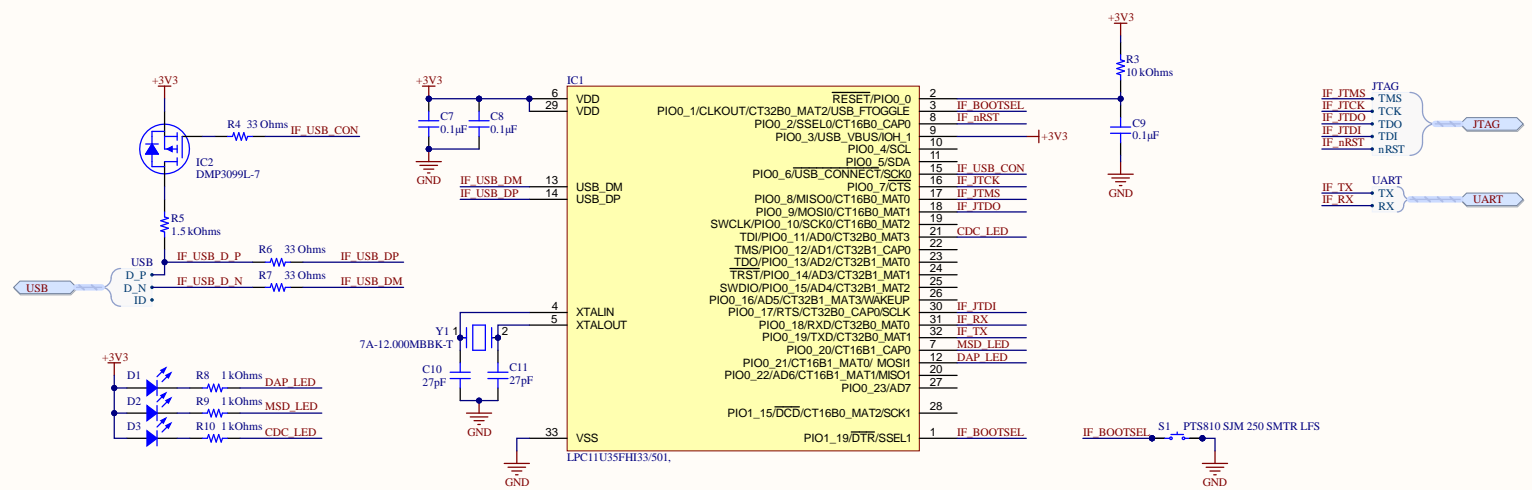
TITLE	K66F_Breakout.PrjPcb	REV	A
FILE NAME	Top.SchDoc		
ENGINEER	Matthew Tran	SHEET	1 OF 6

REVISION	DESCRIPTION	DATE	APPROVED



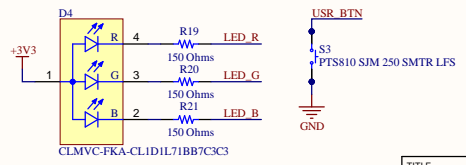
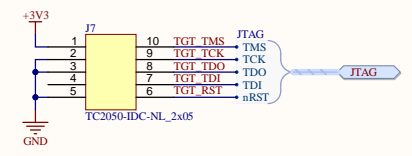
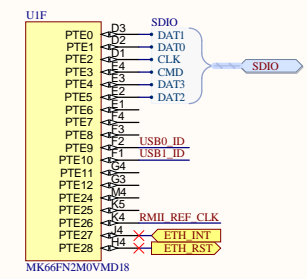
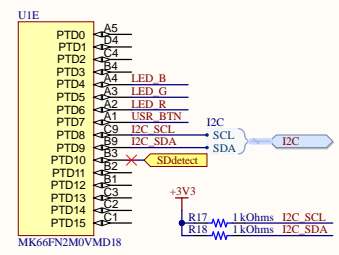
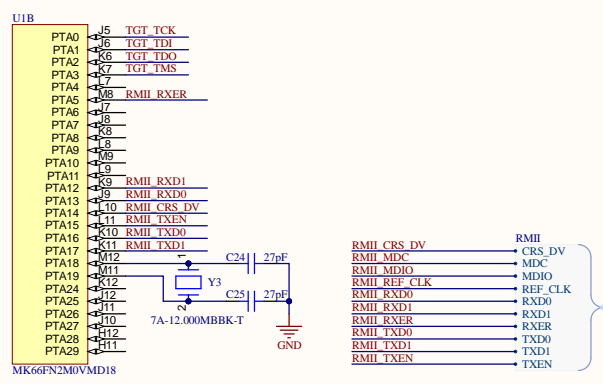
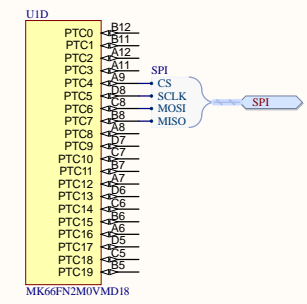
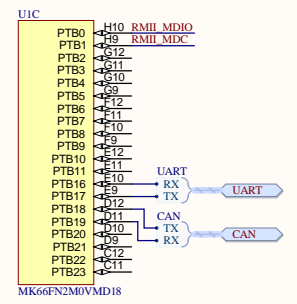
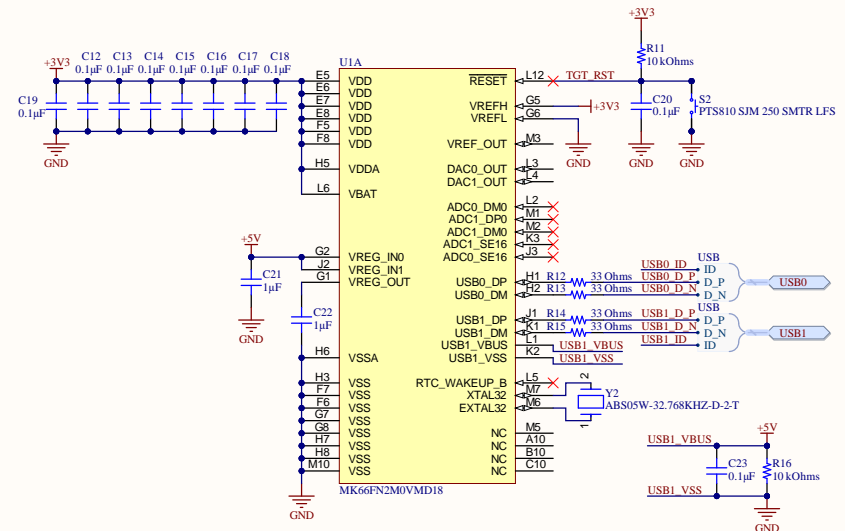
TITLE	K66F_Breakout.PrjPcb	REV	A
FILE NAME	Connectors.SchDoc		
ENGINEER	Matthew Tran	SHEET	2 OF 6

REVISION	DESCRIPTION	DATE	APPROVED



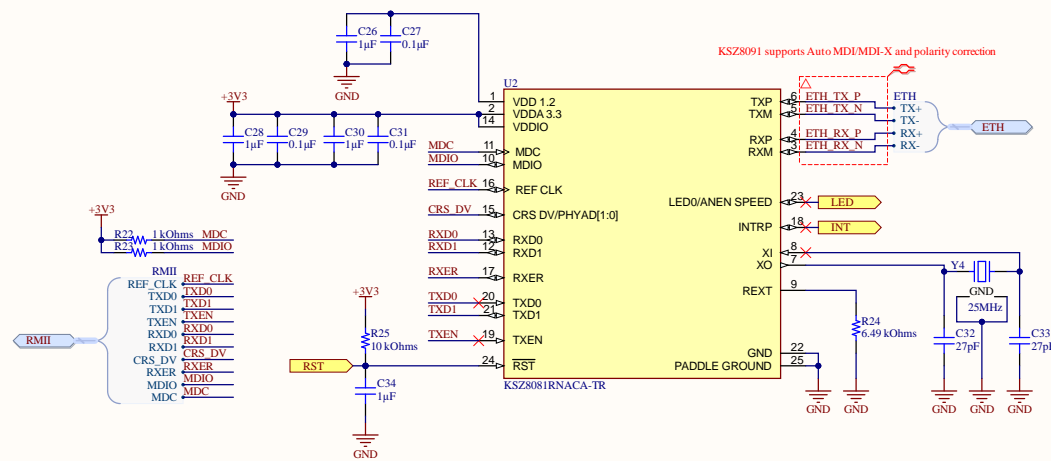
TITLE	K66F_Breakout.PrjPcb	REV	A
FILE NAME	DAPLink.SchDoc		
ENGINEER	Matthew Tran	SHEET	3 OF 6

REVISION	DESCRIPTION	DATE	APPROVED



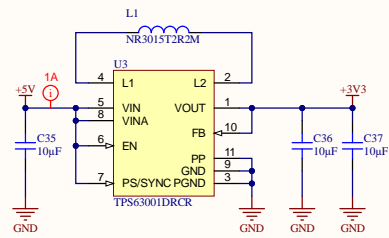
TITLE	K66F_Breakout.PrjPcb	REV	A
FILE NAME	CPU.SchDoc		
ENGINEER	Matthew Tran	SHEET	4 OF 6

REVISION	DESCRIPTION	DATE	APPROVED



TITLE	K66F_Breakout.PrjPcb	REV	A
FILE NAME	PHY.SchDoc		
ENGINEER	Matthew Tran	SHEET	5 OF 6

REVISION	DESCRIPTION	DATE	APPROVED



TITLE	K66F_Breakout.PrjPcb	REV	A
FILE NAME	Power.SchDoc		
ENGINEER	Matthew Tran	SHEET	6 OF 6